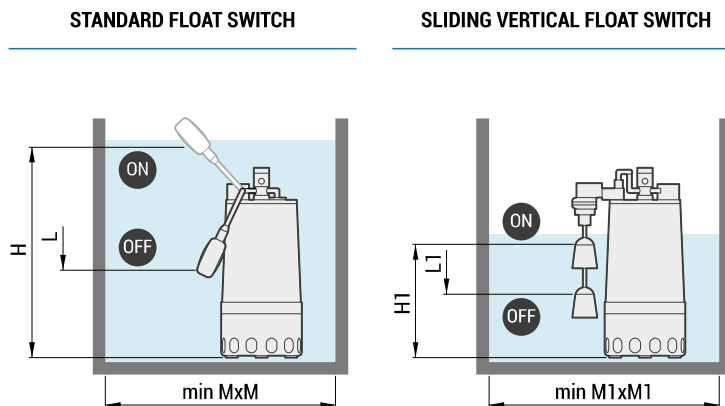
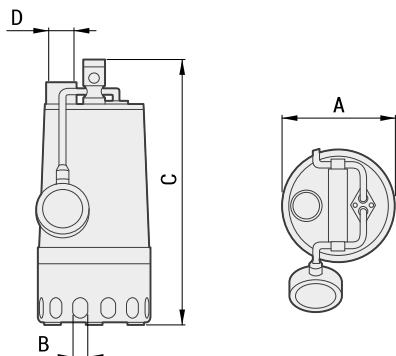


Dimensions



Overall dimensions (mm)

	A	B	C	D	H	L	M	H1	L1	M1	kg	X	Y	Z	Pieces per pallet 1000x1200 mm	
DG steel 37/2 M50	170	20	350	G 1 1/4"	435	195	350	205	115	300	6.6	200	200	400	90 (30x3)	60 (20x3)
DG steel 55/2 M50	170	40	400	G 1 1/2"	450	200	400	250	140	350	8.1	240	250	470	60 (20x3)	60 (20x3)
DG steel 75/2 M50	210	40	400	G 1 1/2"	450	200	400	250	140	350	8.9	240	250	470	60 (20x3)	60 (20x3)
DG steel 75/2 T50	210	40	400	G 1 1/2"	450	200	400	250	140	350	8.9	240	250	470	60 (20x3)	60 (20x3)

M - M1 Minimum dimensions. Suggested dimensions 500mm x 500mm

Versions

Single-phase models

- TCG Thermal protection, capacitor, float switch
- TCW Thermal protection, capacitor, capacitor, travel float switch

Three-phase models

- NAE No electric accessory
- TRG Thermal protection, relay for motor protection, float switch

Packaging



The rugged cardboard box packaging fulfils two functions: it protects the product in transit, thanks to the thickness of the board used and expanded polyurethane padding, and also provides key information about the pump's use and performance data, printed clearly and legibly in colour. Pumps are supplied complete with all the documentation required by European standards and a copy of the duty dataplate on a silvered decal that can be affixed to the manual to ensure the availability of all the most useful data (serial number, power rating, etc.) at all times.

Installations

