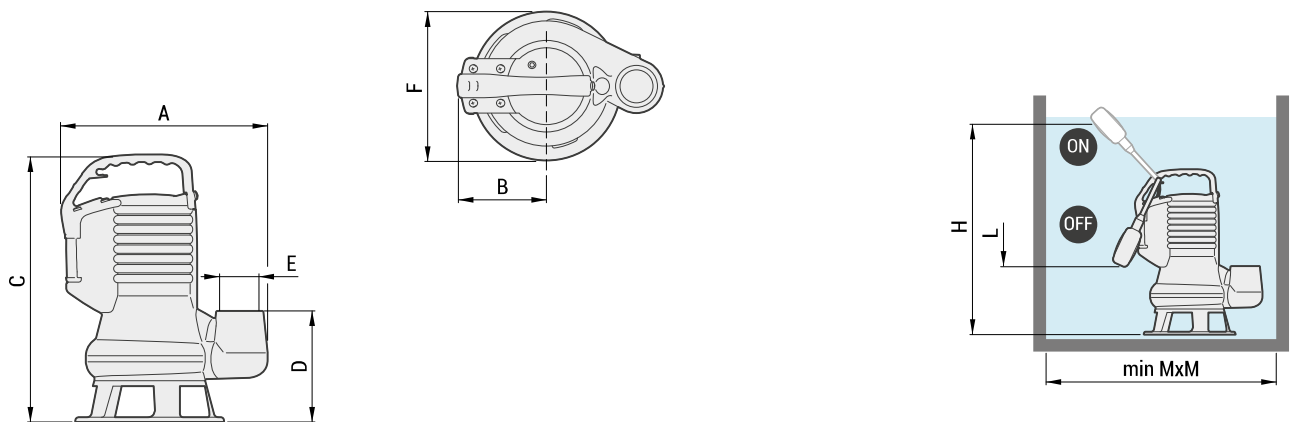



# DG blue

## Dimensions



Overall dimensions (mm)

	Overall dimensions (mm)										kg				Pieces per pallet	
	A	B	C	D	E	F	H	L	M	X		Y	Z	1000x1200 mm		
<b>DG blue 40/2/G40V A1BM5</b>	265	115	335	140	GAS 1½"	190	420	210	300	12.5	200	240	400	75 (25x3)	50 (25x2)	
<b>DG blue 50/2/G40V A1BM5</b>	265	115	335	140	GAS 1½"	190	420	210	300	13	200	240	400	75 (25x3)	50 (25x2)	
<b>DG blue 75/2/G40V A1BM5</b>	265	115	365	140	GAS 1½"	190	450	240	300	15	200	240	400	75 (25x3)	50 (25x2)	
<b>DG blue 100/2/G40V A1BM5</b>	265	115	365	140	GAS 1½"	190	450	240	300	15.5	200	240	400	75 (25x3)	50 (25x2)	

M - Minimum dimensions. Suggested dimensions 500mm x 500mm

## Versions

### Single-phase models

- TC Thermal protection, capacitor
- TCG Thermal protection, capacitor, float switch

## Packaging



The rugged cardboard box packaging fulfils two functions: it protects the product in transit, thanks to the thickness of the board used and expanded polyurethane padding, and also provides key information about the pump's use and performance data, printed clearly and legibly in colour. Pumps are supplied complete with all the documentation required by European standards and a copy of the duty dataplate on a silvered decal that can be affixed to the manual to ensure the availability of all the most useful data (serial number, power rating, etc.) at all times.

## Installations

