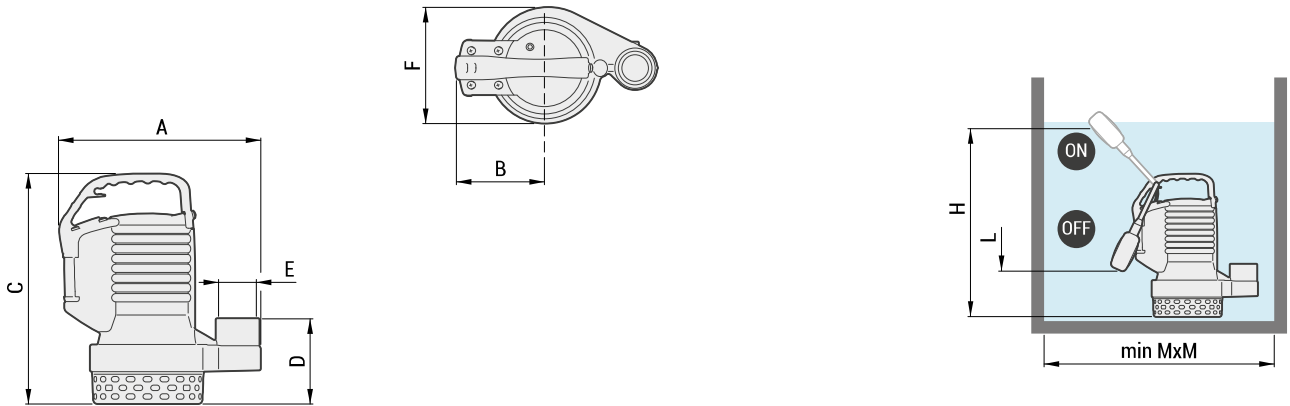
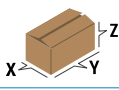


Dimensions



| | Overall dimensions (mm) | | | | | | | | | |  | | | Pieces per pallet | |
|---------------------------------|-------------------------|-----|-----|-----|---------|-----|-----|-----|-----|------|---|-----|-----|-------------------|-----------|
| | A | B | C | D | E | F | H | L | M | kg | X | Y | Z | 1000x1200 mm | |
| DR blue 40/2/G32V A1BM5 | 255 | 115 | 295 | 110 | GAS 1¼" | 150 | 380 | 170 | 300 | 11.5 | 200 | 240 | 350 | 75 (25x3) | 50 (25x2) |
| DR blue 50/2/G32V A1BM5 | 255 | 115 | 295 | 110 | GAS 1¼" | 150 | 380 | 170 | 300 | 12 | 200 | 240 | 350 | 75 (25x3) | 50 (25x2) |
| DR blue 75/2/G32V A1BM5 | 255 | 115 | 325 | 110 | GAS 1¼" | 150 | 410 | 200 | 300 | 13.5 | 200 | 240 | 350 | 75 (25x3) | 50 (25x2) |
| DR blue 100/2/G32V A1BM5 | 255 | 115 | 325 | 110 | GAS 1¼" | 150 | 410 | 200 | 300 | 15.5 | 200 | 240 | 350 | 75 (25x3) | 50 (25x2) |

M - Minimum dimensions. Suggested dimensions 500mm x 500mm

Versions

Single-phase models

- TC Thermal protection, capacitor
- TCG Thermal protection, capacitor, float switch

Packaging



The rugged cardboard box packaging fulfils two functions: it protects the product in transit, thanks to the thickness of the board used and expanded polyurethane padding, and also provides key information about the pump's use and performance data, printed clearly and legibly in colour. Pumps are supplied complete with all the documentation required by European standards and a copy of the duty dataplate on a silvered decal that can be affixed to the manual to ensure the availability of all the most useful data (serial number, power rating, etc.) at all times.

Installations

